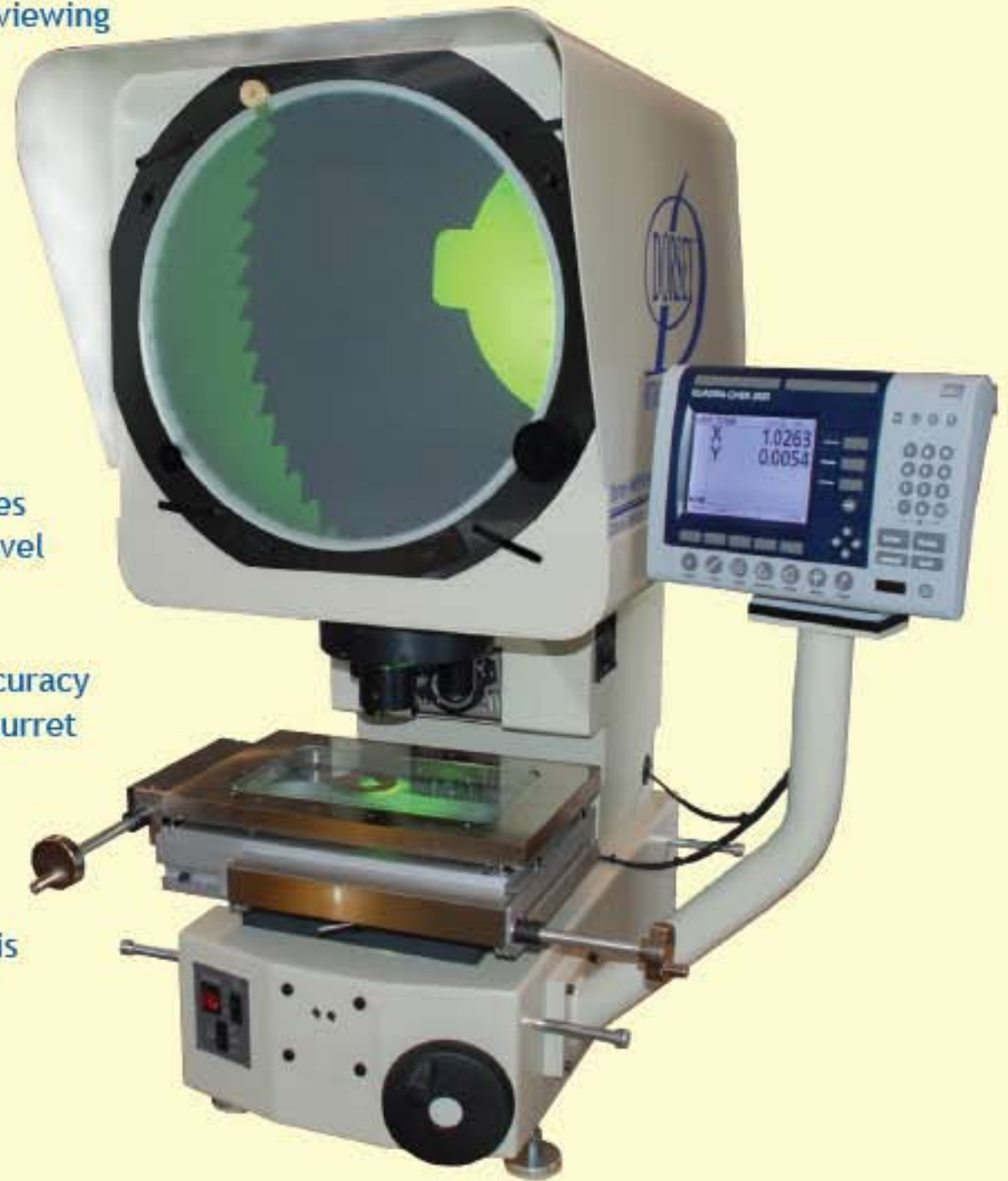


MODEL 16VS VERTICAL BEAM

This dynamic vertical optical system is the first of its kind manufactured in the USA. This system allows a much greater stage capacity up to 75 pounds (15 lbs in the center of the glass plate) with optional stage travel up to 16" x 8".

FEATURES:

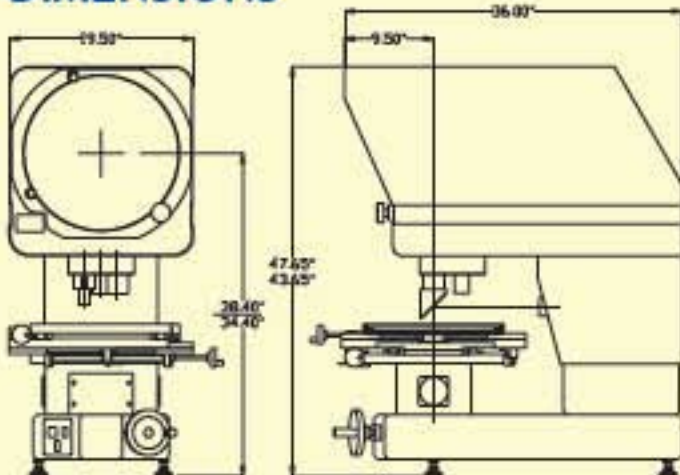
- 16" (400mm) Diameter vertical screen for optimum viewing
- Reversed and inverted image
- High resolution ground glass screen with calibration reticle, 90 degree cross lines and chart clips
- Machined chart ring with vernier protractor
- High specification table (Part # 8x4MN-1)
 - 75 lbs stage capacity (15 lbs on glass)
 - 15" x 10.5" overall size of stage
 - 7" x 4.5" glass insert
 - 8" x 4" travel
 - 4" focal distance in the Z axis
 - Crossed rail roller bearings on all measuring axes
 - Multiple stage options with up to 16" x 8" of travel
- Quartz halogen light source. Fan cooled and electronically dimmed for long lamp life
- Dynamic optical head to maintain constant mass accuracy
- Built in rotary 3 lens turret & 2 position condenser turret
- Diascopic surface illumination is standard
- Welded plate steel case fabrication
- Coated telecentric parfocal optics
- Lens choices of 10X through 100X
- Linear Scale Resolution 0.0005mm/.00002" X & Y Axis
- Choice of readout or full CNC computerized systems available
- NIST traceable calibration certificate
- 2 Year limited warranty



OPTIONAL FEATURES:

- Motorized stage
- Internal edge detection
- Coaxial surface illumination
- Output for electronic rotary screen protractor (Q axis) with selectable 1 minute or 1/100 of a degree resolution
- Choice of readout options - pages 11-13
- For choices of other vertical stages see page 16
- Harsh Environment Package

DIMENSIONS



Technical Specification	
Illumination	Profile: Built-in 24V/150W direct collimated halogen Surface: 150W direct halogen
Screen Size	16" (400mm) Ground glass with cross-lines
Stage	Cast iron, nickel plated, 8" x 4", twin dovetail
Stage Travel	X = 8" (200mm) Y = 4" (100mm) Focus = 4" (100mm)
Stage Accuracy	Within +/- 0.004mm +[(L/20).001]
Linear Scale Resolution	Standard: 0.0005mm/.00002" (X & Y axis)
Repeatability of Scales	+/- 1 Scale count (0.001mm/.00004")
Coated Telecentric Lenses	10x, 20x, 25x, 31.25x, 50x, 62.5x, 100x
Optical Accuracy	Within +/- 0.1% Profile, +/- .15% Surface
Power Requirements	120V or 240V AC, 50/60 Hz, 10 Amp
Weight	375 lbs/170 kg