

MODEL 24P HORIZONTAL BEAM

The 24P was designed to be an all purpose measurement/inspection instrument capable of performing both light and heavy duty tasks. Choose any lens system to customize this machine to match your requirements.

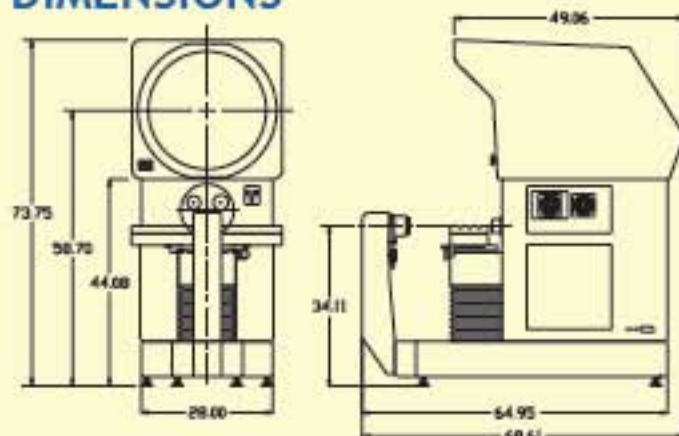
FEATURES:

- 24" (600mm) Vertical screen for optimum viewing
- Erect and reversed profile image
- High resolution ground glass screen with calibration reticle, 90 degree cross lines and chart clips
- Machined chart ring with vernier protractor, 1 minute graduation
- Coated telecentric parfocal optics
- 3 position rotary lens & condenser turret (4 position optional)
- Quartz halogen profile light source 24V, 150W
- Bright 250W fiber optic surface illumination
- Solid cast iron nickel plated stage
 - Triple universal dovetails
 - 36" x 8" overall size
 - 3 axis solid rail crossed roller bearings
 - 500 lbs capacity
 - 18" X axis motorized travel
 - 10" Y axis motorized travel
 - Linear scale resolution 0.00025mm/.00001"
 - ±15 degree true parfocal helix stage adjustment, with 5 minute vernier
 - Joystick control, computerized microstep motor controller with X and Y axes & focus
- Integrated hood
- NIST traceable calibration certificate
- 2 Year limited warranty

OPTIONAL FEATURES:

- Internal edge detection
- Nikon optics
- Output for electronic rotary screen protractor (Q axis) with selectable 1 minute or 1/100 of a degree resolution
- Choice of readout options see pages 11-13
- CNC computer controlled readout systems
- 24" extended stage travel on "X" axis
- Extra bright through lens surface illumination with Nikon lens option
- Harsh Environment package
- Extended hood & curtains

DIMENSIONS



Optional: **OPTICS**
Nikon

Technical Specification	
Illumination	Profile: Built-in 24V/150W direct collimated halogen Surface: Built-in 24V/250W via fiber optics
Screen Size	24" (600mm) Ground glass with cross-lines
Stage	Cast iron, nickel plated, 36" x 8", triple dovetails
Stage Travel	X = 18" (460mm), Motorized Y = 10" (250mm), Motorized Focus = 3" (75mm), Motorized
Stage Options	Optional increase of stage travel to 24" (600mm) on X axis
Stage Accuracy	Within +/- 0.004mm +[(L/20).001]
Linear Scale Resolution	Standard: 0.00025mm/.000010"
Repeatability of Scales	+/- 1 Scale count (0.0005mm/.00002")
Coated Telecentric Lenses	5x, 10x, 20x, 31.25x, 25x, 50x, 62.5x, 100x, 200x
Optical Accuracy	Within +/- .10% Profile, +/- .15% Surface
Power Requirements	120V or 240V AC, 50/60 Hz, 10 Amp
Weight	2950 lbs/1338 kg

Proudly made in the USA 